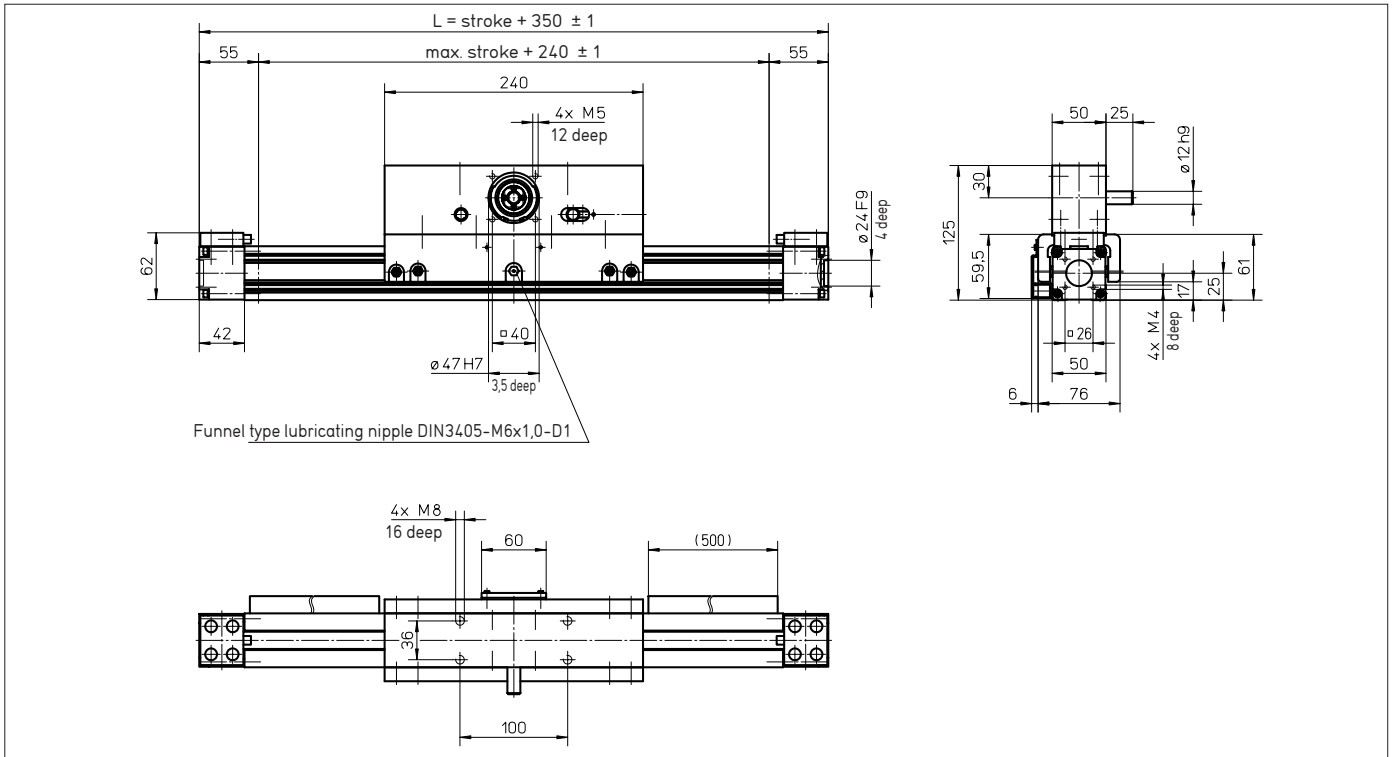


# WIESEL SPEEDLine® WHZ50

## with roller guideway and ATL toothed belt



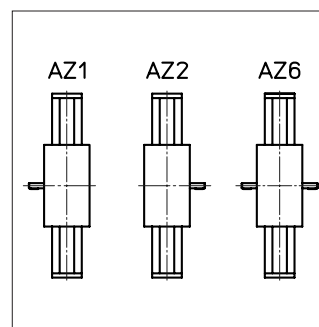
Note: In the section of the rail for the initiators the WIESEL® can not be fixed by means of KAO mounting brackets. Mounting kit for the lateral assembly of the initiators at the sides of the axis on request. Mounted wipers on request. The use of a long power bridge increases the total length.

### Technical data

- Linear speed: \_\_\_\_\_ max. 6.5 m/s
- Repeatability: \_\_\_\_\_ ± 0.05 mm
- Acceleration: \_\_\_\_\_ max. 40 m/s<sup>2</sup>
- Drive element: \_\_\_\_\_ Toothed belt 16ATL5
- Pulley diameter: \_\_\_\_\_ 38.20 mm
- Stroke per revolution: \_\_\_\_\_ 120 mm
- Stroke length: \_\_\_\_\_ up to 1500 mm
- Length of power bridge: \_\_\_\_\_ 240 or 400 mm, see page 26
- Geometrical moment of inertia:  $I_y 3.30 \cdot 10^5 \text{ mm}^4$   
 $I_z 2.65 \cdot 10^5 \text{ mm}^4$
- Weights
  - Basic unit with zero stroke: \_\_\_\_\_ 4.50 kg
  - 100 mm stroke: \_\_\_\_\_ 0.42 kg
  - Power bridge with carriage: \_\_\_\_\_ 2.90 kg

### Execution of drive shafts

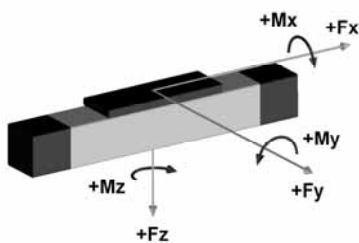
(Detailed description see page 123)  
Other executions on request.



### Idle torques [Nm]

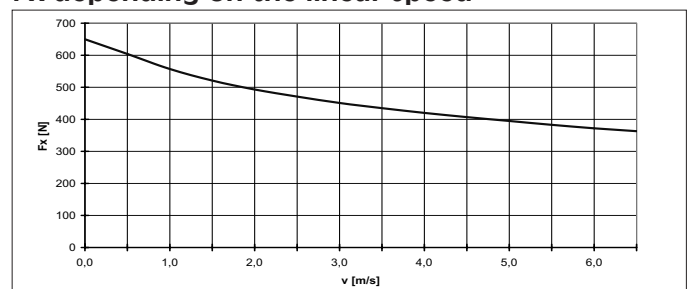
Rotational speed [rpm]	M <sub>idle</sub> [Nm]
150	1.7
1500	2.4
3250	3.8

### Loads and load moments



Load	dynam. [N]
Fx drive <sup>1)</sup>	max. 670
Fy	415
±Fz	730
Load moment	dynam. [Nm]
Mx	16
My <sup>2)</sup>	87
Mz <sup>2)</sup>	50

### Fx depending on the linear speed



<sup>1)</sup> Depending on the speed, see respective chart.

<sup>2)</sup> Increase of the admissible values by the use of a long power bridge or additional free-sliding power bridge (page 26 and 27).